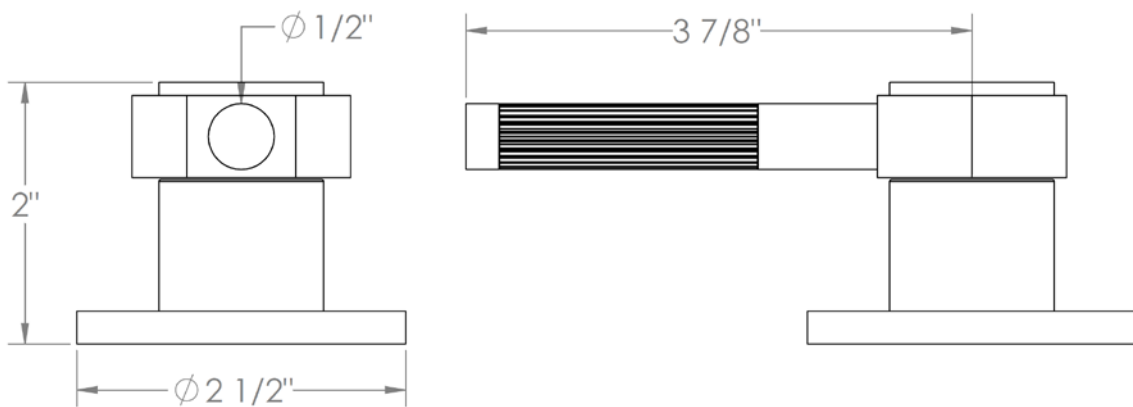
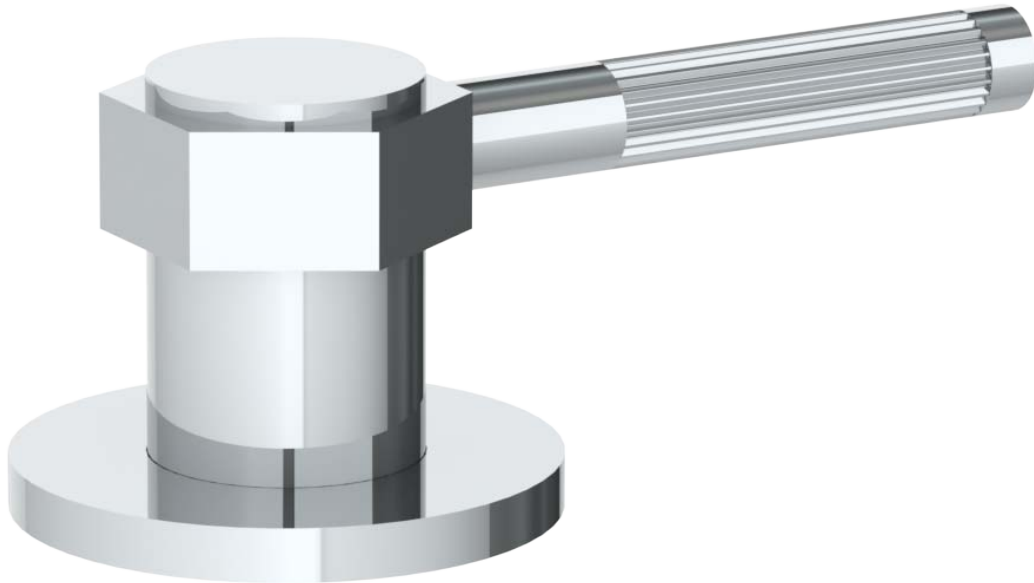


**111-DT-SP4**

Trim for Deck Mounted Valve

For use with SS-508-C, SS-508-H or SS-DD4 concealed roughs

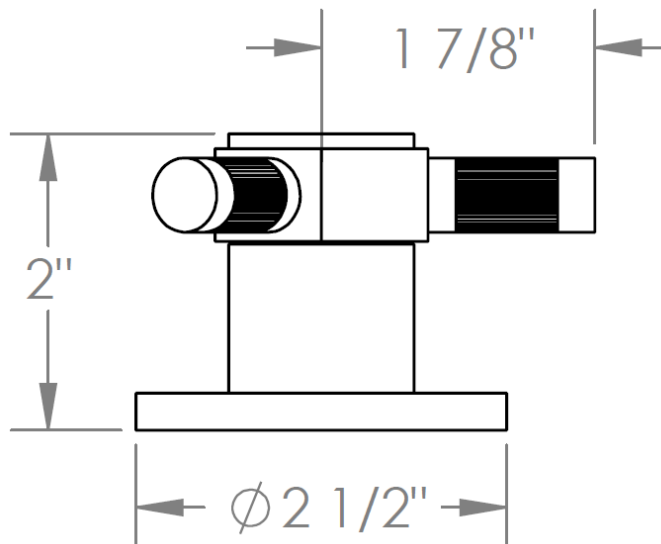
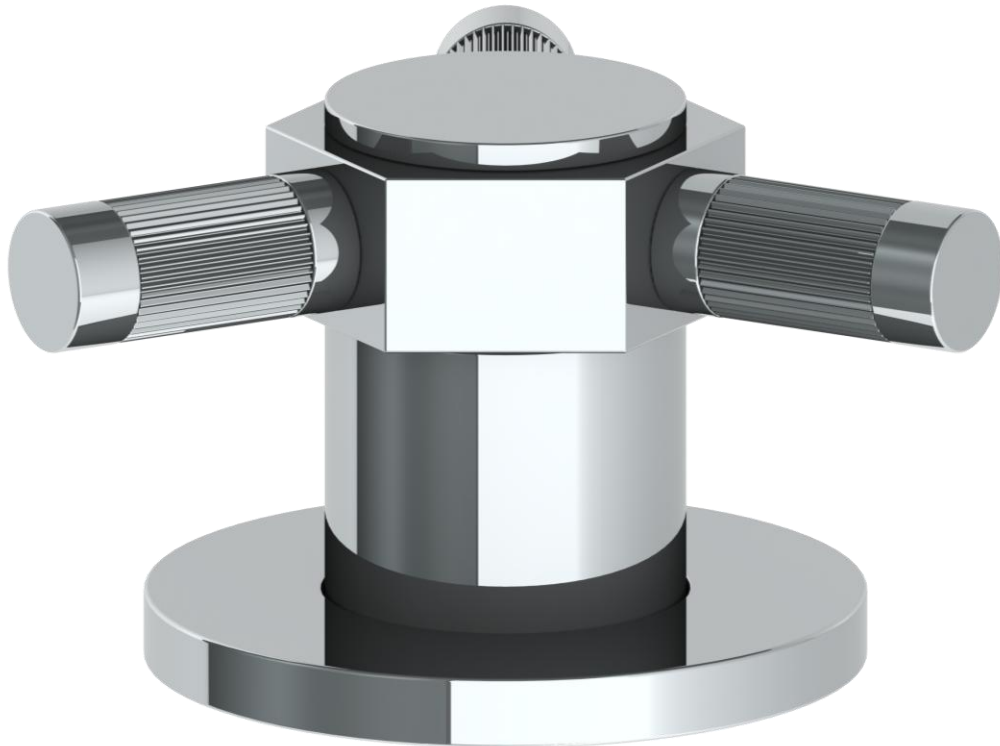


**WATERMARK** DESIGNS 3/5/2018

**111-DT-SP5**

Trim for Deck Mounted Valve

Requires SS-508-C, SS-508-H or SS-DD4 concealed rough



Meets the applicable requirements of ASME A112.18.1-2005/CSA B125.1-05, entitled "Plumbing Supply Fittings"